



PRESSURE MEASUREMENT		
Pressure Transmitter		
Type PT1: Standard industrial use		
Type PT2: Flush diaphragm type		

Data Sheet P PT4

Service Intended

Suitable for the majority of general industrial control applications such as hydraulics, pneumatics, pharmaceutical and food & beverage.

Construction

Material: Stainless steel 316
 Wetted Parts; Stainless steel 316
 Flush diaphragm for type PT2: Stainless steel 316

Pressure Connections

Material: Stainless steel 316
 Size: 1/2" BSP

Ingress Protection

IP 65

Working Pressure

Steady: Full scale value
 Over Range Limit: 150% of FS
 Burst Pressure: 3 x FS

Signal Output

4 - 20 mA 2-wire

Power Supply

10 - 30 V DC

Accuracy Class

0.5% (0.25% optional)

Compensated Temperature Range

0 to 85 °C
 Temperature Error: Zero and span < 0.02% FS / K

Installation

Careful consideration, regarding process conditions, should be taken when installing transmitters. Damage to the transmitter may be caused by excessive vibration, pulsation, temperature or over pressure. A capillary assembly fitted to the transmitter to remove the transmitter from the above conditions may increase instrument life. Fluid hammer, surges or pressure spikes must be avoided by fitting a suitable snubbing device.

Typical symptoms of damage:

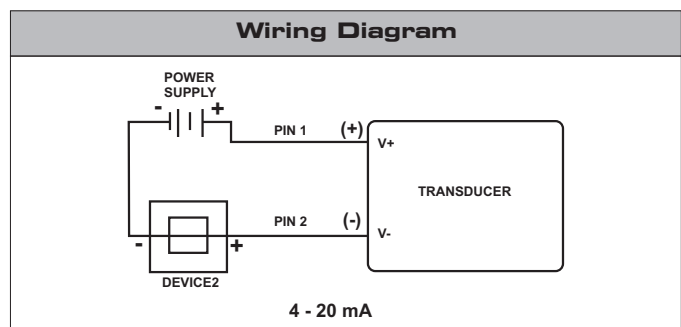
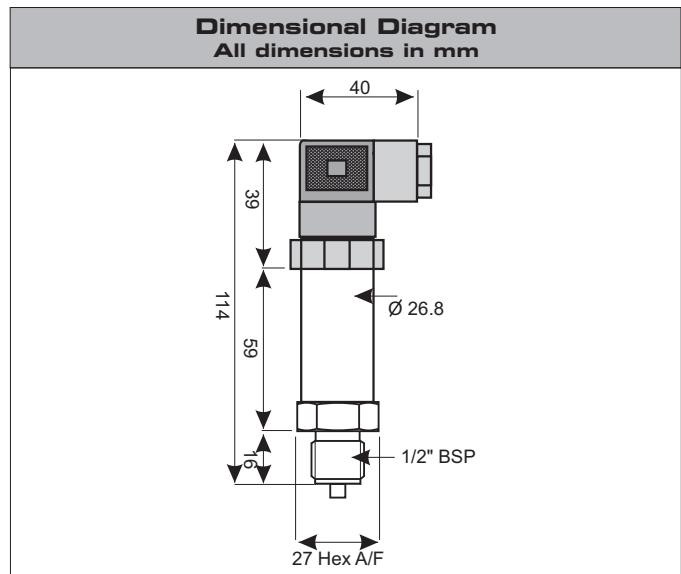
- The transmitter will indicate an output at zero pressure
- The transmitter output remains constant while pressure is applied or no output is indicated at all.

Zero and Span Adjustment

Zero and span adjustment is not normally required but may be done on site to trim offsets in the process system. Although field calibratable we recommend that the instrument be returned to the factory for the necessary adjustments as proper re-calibration requires a calibration standard at least 3 x more accurate than the accuracy of the transmitter. Individual span or zero adjustment may also have an effect on each other.

Optional Extras

Calibration certificate
 Diaphragms seals fitted



Wiring Connections

1 red	1 blue	⏚
+Us	-Vs	GND