



TEMPERATURE MEASUREMENT
Bimetal Thermometer
 Airconditioning / Heating Series

Data Sheet T BM-3

Service Intended

Suitable for general heating and cooling industry. Typical applications will be in a general industrial heating and air-conditioning industry. Also suitable for solar power systems and hot water boiler installations.

Case Details

Nom. dia: 100mm

Bezel

S/Steel 304 push on type.

Case Material

Mild steel, zinc plated or stainless steel 304.

Stem Location

Centre back.

Stem

Stem with adjustable set screw at the end, 8mm dia with slip on, removable thermowell 11mm dia.

Thermowell

Material: Brass, 11mm dia.
 Stem Length: 63 or 100mm
 Pressure Rating: 6 bar max.

Window

Glass or plexiglass.

Dial

White aluminium. Black lettering. Other options on request.

Pointer

Black aluminium.

Sensing Element

Bimetal coil, direct drive.

Working Range

Maximum scale value.

Accuracy

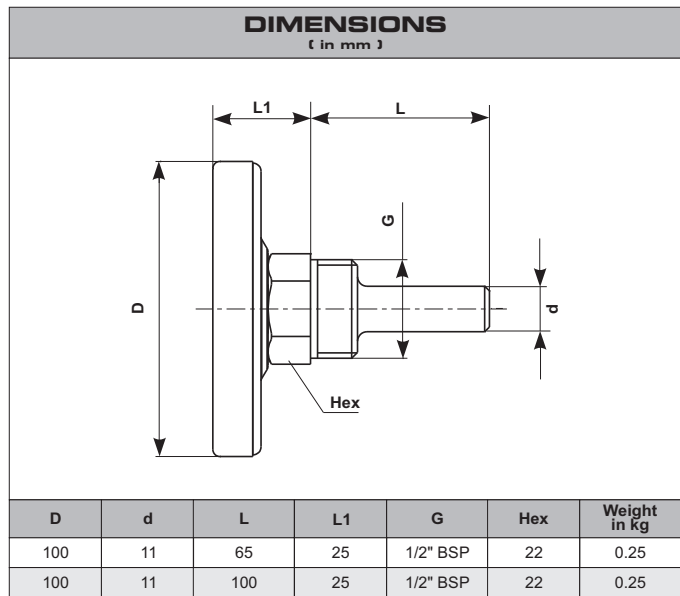
Class 2 (2% of full scale value)

Weather Protection

IP 54

Optional Extras

Calibration Certificate



STANDARD TEMPERATURE RANGES

Scale range °C	Figure interval	Minor graduations
0 - 60	10	1
0 - 120	20	2

Other ranges available on request