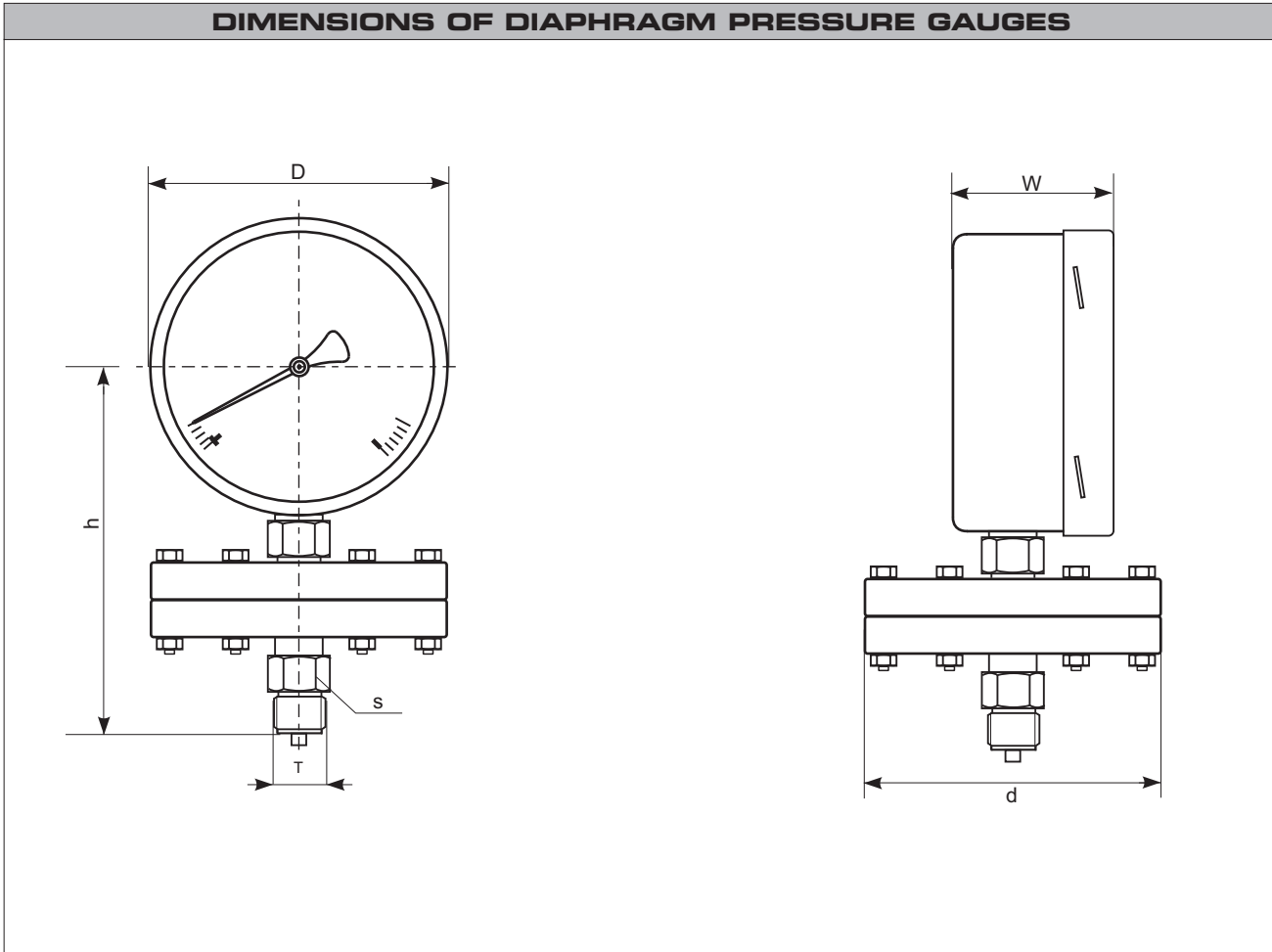




**TECHNICAL SPECIFICATIONS**  
Diaphragm Operated Pressure Gauge Dimensions

Data Sheet DIM P SCH4



| PRESSURE GAUGE CASE & FLANGE DIMENSIONS<br>( in mm ) |  |     |     |     |           |    |  | Weight<br>in kg |             |
|--|--|-----|-----|-----|-----------|----|--|-----------------|-------------|
| Nom Case Ø   | Range  | D   | d   | h   | s         | W  | T  | Dry             | Glyc filled |
| 100  | 0-2.5, 0-4, 0-6, 0-10, 0-16, 0-25, 0-40 kPa<br>Compound & vacuum ranges available on request.                            | 99  | 160 | 135 | 22<br>Hex | 49 | ½" BSP male standard,<br>other threads on request. | 3.5             | 3.8         |
| 160  |  | 158 |     | 160 |           | 51 |  | 3.8             | 4.5         |
| 100  | 0-60, 0-100, 0-160, 0-250, 0-400, 0-600, 0-1000,<br>0-1600, 0-2500 kPa<br>Compound & vacuum ranges available on request. | 99  | 95  | 135 | 22<br>Hex | 49 | ½" BSP male standard,<br>other threads on request. | 1.7             | 2.0         |
| 160  |  | 158 |     | 160 |           | 51 |  | 2.0             | 2.7         |