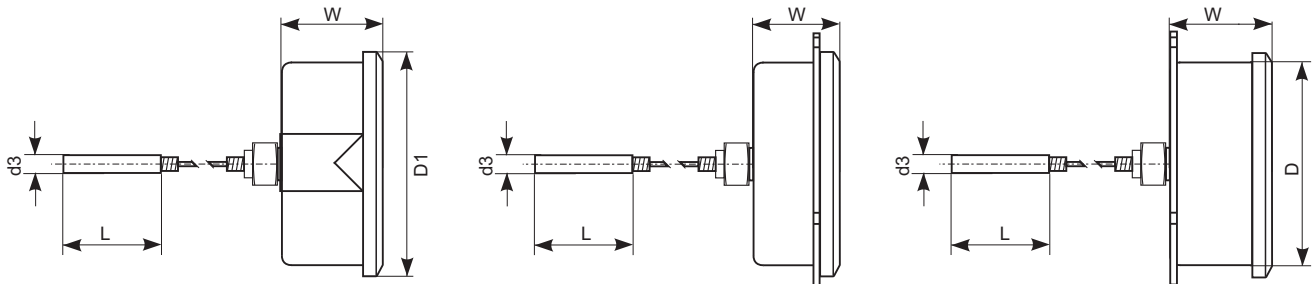


TECHNICAL SPECIFICATIONS
Vapour Expansion Series Dimensions

Data Sheet DIM T VAP3

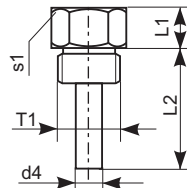
DIMENSIONS OF VAPOUR EXPANSION THERMOMETERS AND THERMOWELLS



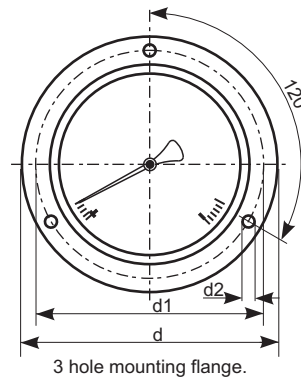
Rear connection, narrow front ring.
Clamp type panel mounting

Rear connection, 3 hole front flange.
Panel mounting

Rear connection, 3 hole rear flange.
Surface mounting



Brass thermowell
(pocket)



3 hole mounting flange.

GAS ACTUATED THERMOMETER DIMENSIONS (in mm)										Panel cut out to suit back entry gauges		Weight in kg	
Case Ø	D	D1	d	d1	d2	d3	L	s	W	3 Hole MTG	Clamp MTG	Dry	Glyc filled
50	51	57	71	60	3.6	7	35	14 Sq	30	55	53	0.2	0.3
63	62	68	85	75	3.6	7	35	14 Sq	32	68	64	0.4	0.5
80	75	82	110	95	4.8	7	35	14 Sq	33	86	78	0.5	0.9
100	100	109	132	116	4.8	7	35	14 Sq	51	106	102	0.7	1.1

SOLID MACHINED BRASS THERMOWELL DIMENSIONS (in mm)				
d4	L1	L2	s1	T1
10	14	30	27 Hex	1/4", 3/8", 1/2" BSP / NPT male thread standard. Other specifications on request.